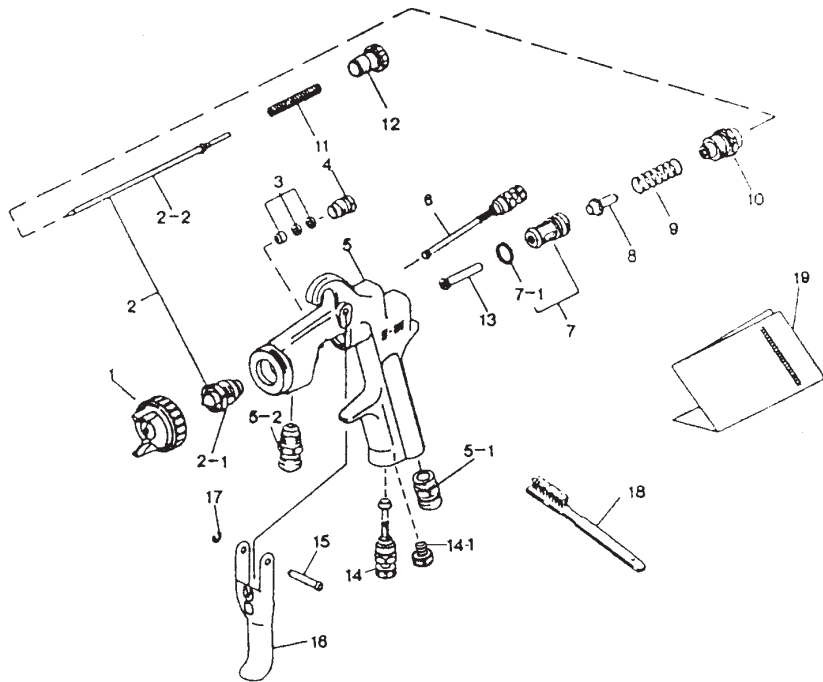




W200



Pistola de presión



W200 WB



W200 S18

Pistola de presión con retorno de fluido

Modelo W200

	Ø mm	No.	bar	m ² /min	N ² /min	mm
W200-082P	0.8	LV2	2.0	255	360	280
W200-102P	1.0	LV2	2.0	255	360	280
W200-122P	1.2	LV2	2.0	255	360	280
W200-082P	0.8	G2P	3.0	500	560	400
W200-102P	1.0	G2P	3.0	500	560	400
W200-122P	1.2	G2P	3.0	500	560	400
W200-152S	1.5	K2	3.0	240	330	290
W200-182S	1.8	K2	3.0	290	330	340
W200-202S	2.0	R2	3.0	350	360	290
W200-251S	2.5	W1	3.0	760	500	370

Conexión aire: G1/4" - Conexión fluido: G3/8" - Nivel de ruido: 81.2 dB (A)

Modelo W200 WB

W200 WB-081P	0.8	WB1	1.6	200	340	340
W200 WB-101P	1.0	WB1	1.6	250	340	340
W200 WB-121P	1.2	WB1	1.6	300	340	380

Conexión aire: G1/4" - Conexión fluido: G1/4" - Nivel de ruido: 70.1 dB (A)

Modelo W200-ZP

W200-151ZP	1.5	R1Z	3.5	760	500	370
W200-201ZP	2.0	R1Z	3.5	760	500	370
W200-251ZP	2.5	R1Z	3.5	760	500	370

Conexión aire: G1/4" - Conexión fluido: G3/8" - Nivel de ruido: 79 dB (A)

Modelo W200 S18

W200 S18	1.0	G2P	3.0	500	560	360
----------	-----	-----	-----	-----	-----	-----

Nivel de ruido: 70.1 dB (A)



CERTIFICATE OF COMPLIANCE

We certify that we have tested the Anest Iwata High pressure feed spray guns in accordance with ASTM D transfer efficiency and that these spray guns comply Environmental Protection Act 1990, Part 1 - 1997 Revision (PG6/23(97), PG6/40(94), PG6/41(94)).

Transfer efficiencies achieved with the materials detailed:

PRIMER	93.2%
SOLID COLOUR	85.9%
BASECOAT	82.3%
CLEAR LACQUER	73.5%

Signed for MIRC THATCHAM:

THATCHAM
THE MOTOR INSURANCE
REPAIR RESEARCH CENTRE
Colthrop Way, Thatcham, Berkshire, RG19 4NR

CERTIFICATE OF COMPLIANCE

We certify that we have tested the Anest Iwata High T.E.C. W 200 suction spray gun in accordance with ASTM Designation: D5286-95 Tests for transfer efficiency and that this spray gun complies with the requirements of the Environmental Protection Act 1990, Part 1 - 1997 Revision as detailed in PG6/34(97), PG6/23(97), PG6/40(94), PG6/41(94).

Transfer efficiencies achieved with the materials detailed in the test report were:

PRIMER	95.2%
SOLID COLOUR	78.9%
BASECOAT	73.8%
CLEAR LACQUER	77.4%

Signed for MIRC THATCHAM: M. Smith
Chief Executive

THATCHAM
THE MOTOR INSURANCE
REPAIR RESEARCH CENTRE
Colthrop Way, Thatcham, Berkshire, RG19 4NR U.K.

Regulación para cambio rápido abanico



Pulsador cambio rápido abanico

